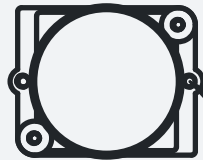


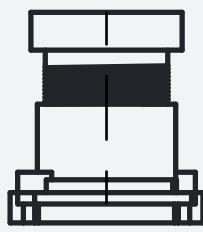
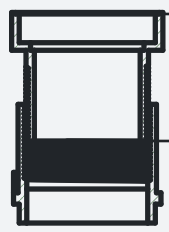
1 2 3 4 5 6

A
B
C
D



2x ϕ 1.75

16.8



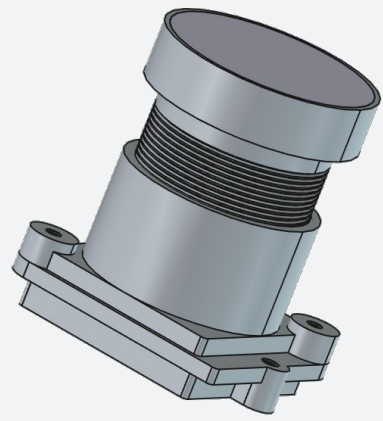
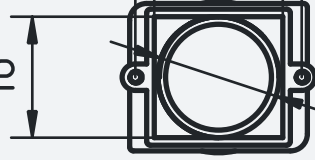
15.7

22

17

16

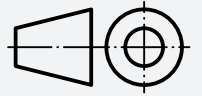
ϕ 16



Part Material:

General tolerances:
ISO 2768-m

Scale:
1 : 1



Title: M16 8mm Lens and Holder		Created by: Pixmoteur		Owner:	
Document type: Component Drawing		Approved by: Pixmoteur			
Drawing number: DN		Language: EN	Issue date: 3 Jun 2026	Revision: AAA	Sheet: 1 / 1